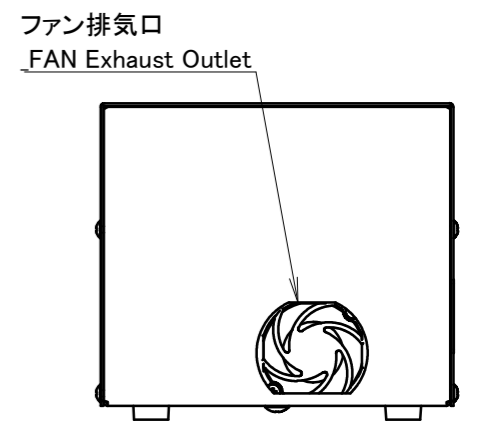
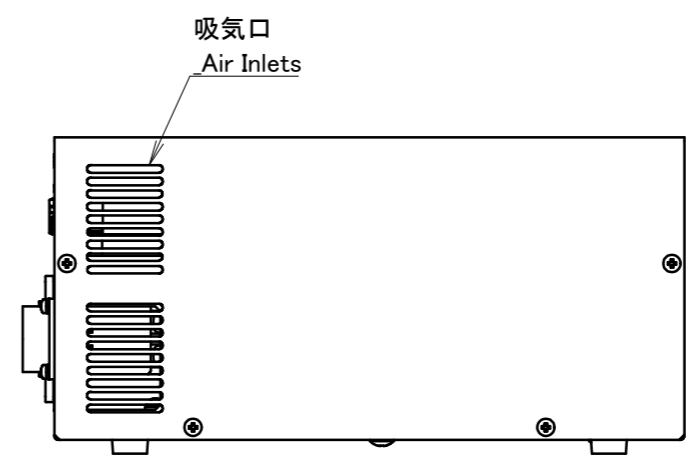
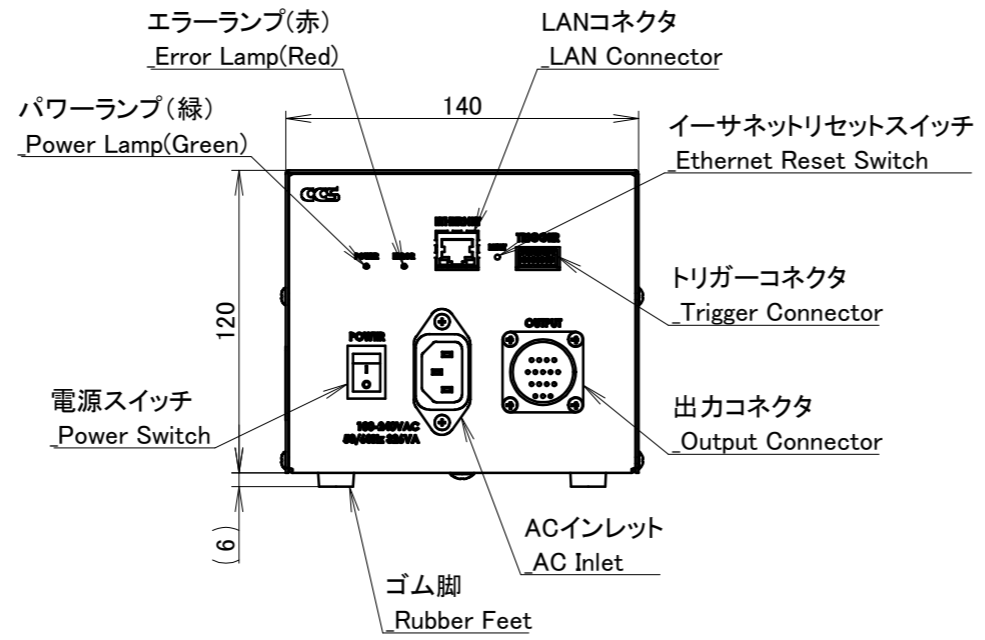
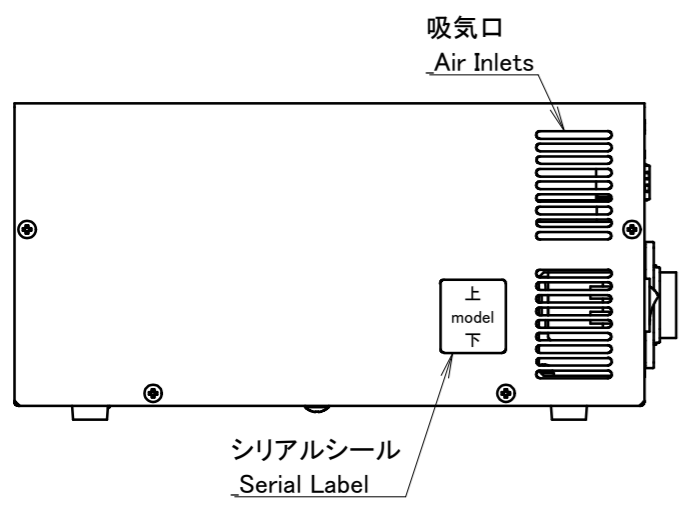
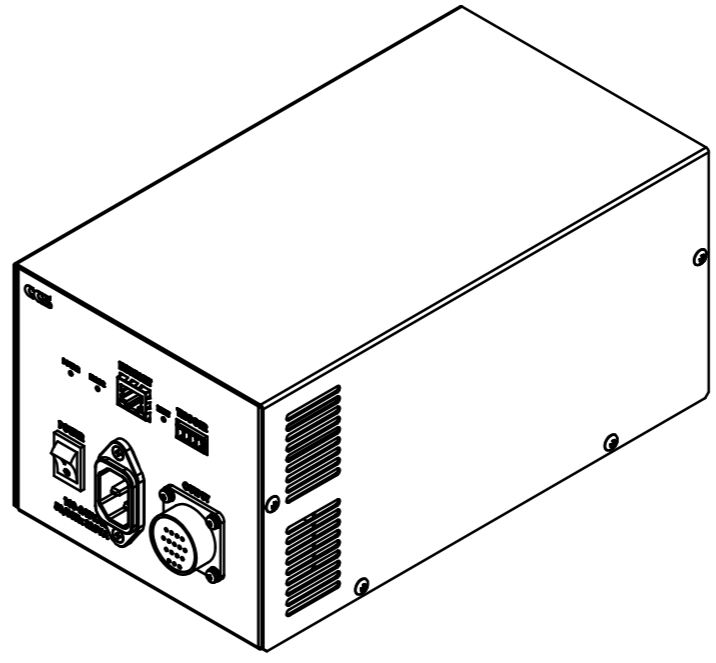
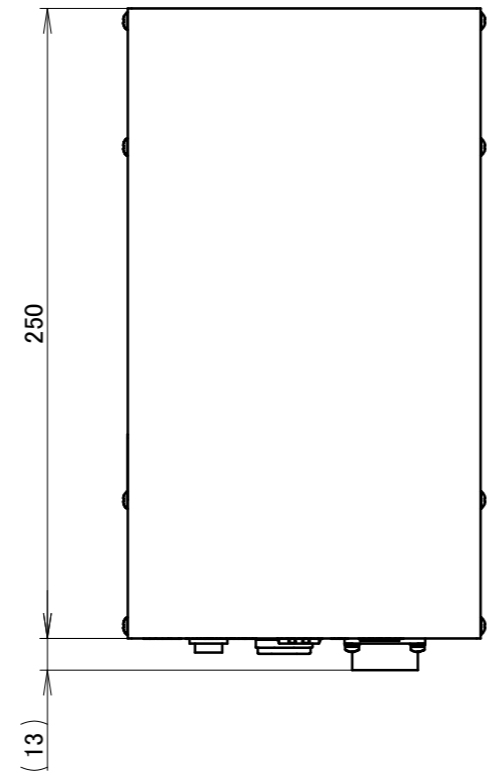


1 2 3 4 5 6 7 8

A
B
C
D
E
F



ISSUE DATE	SCALE	NAME
2026/03/17	1:3	CA-DX-25048-E
	SHEET SIZE	DRAWING NAME
	A3	外觀図_outline
PROJECTION	DRAWING No.	REVISION
	UA47246-W	000
		SHEET
		01