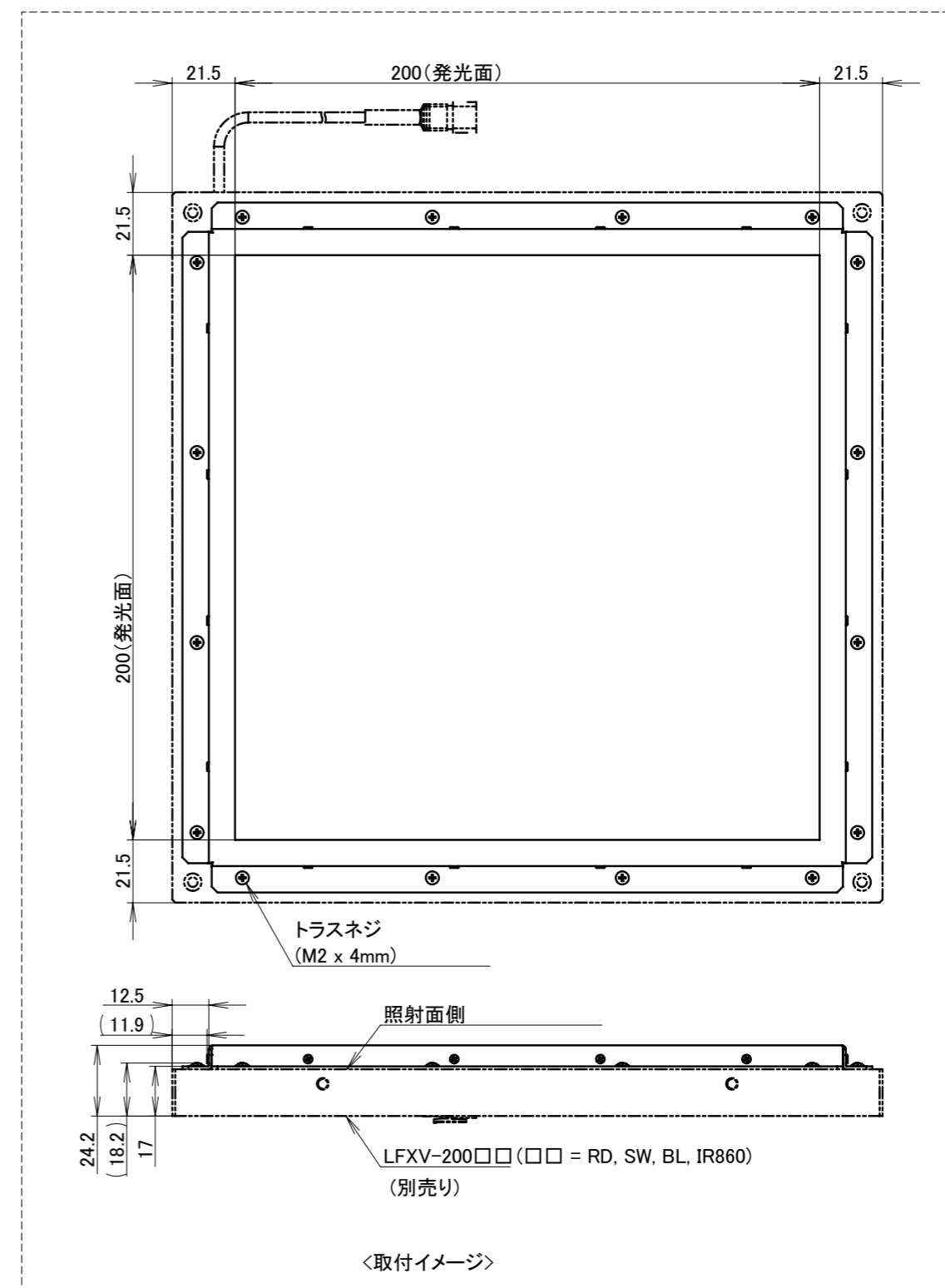
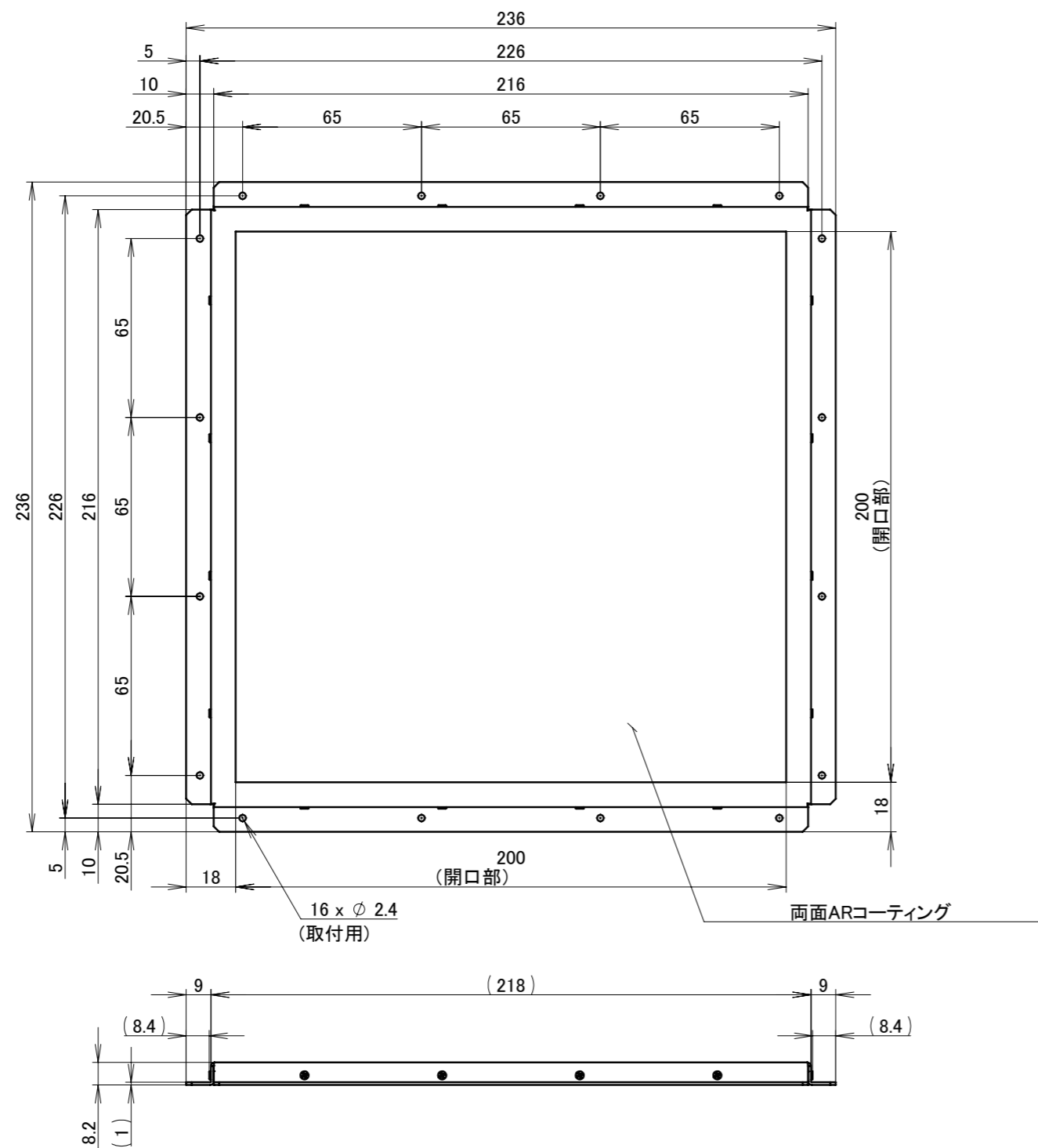


PR-LFXV-200

Unit: mm



※付属品
・トラスネジ(M2 x 4mm) 17Pieces.

質量 : 220g(概算)

Copyright(C) 2020 CCS Inc. All rights reserved. Reproduction or photocopy without permission is prohibited.

CCS Inc.