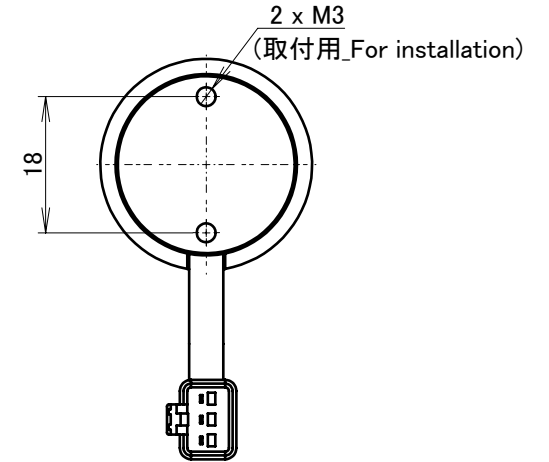
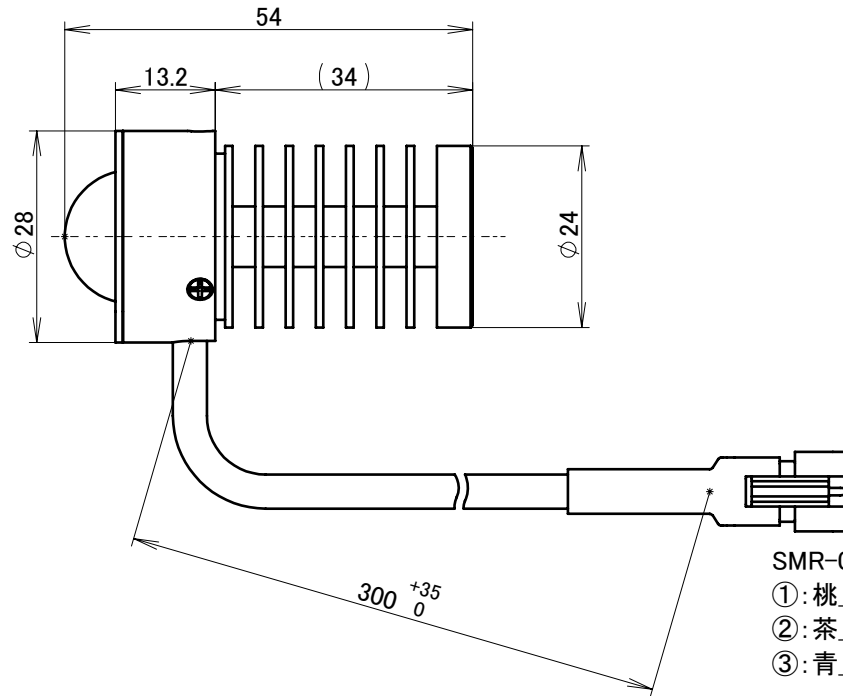
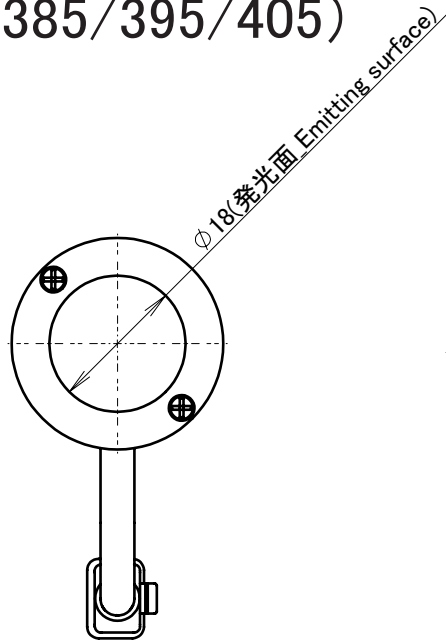


HLV2-24VL3-O

(O : 385/395/405)




SMR-03V-B
 ①: 桃_Pink(信号_Signal)
 ②: 茶_Brown(+)
 ③: 青_Blue(-)

入力電流_Input Current : 0.700A
 消費電力_Power Consumption : 2.8W
 質量_Mass : 0.050kg(概算_Approx.)

UNIT:mm

REVISION	DATE	DESCRIPTION	REVISED
000			

ISSUE DATE	SCALE	APPROVED	NAME
2021/05/31	1:1	T.OSAWA	HLV2-24VL3-O (O : 385/395/405)
 CCS Inc.	SHEET SIZE	CHECKED	DRAWING NAME
	A4	Y.INOUE	外觀図_Outline
	DESIGNED		
PROJECTION		A.FUKUMOTO	DRAWING No.
		DRAWN	UA38738-G
		A.FUKUMOTO	REVISION
			000
			SHEET
			01
			01