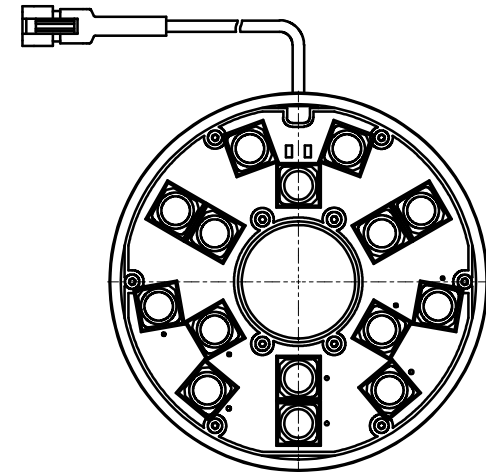
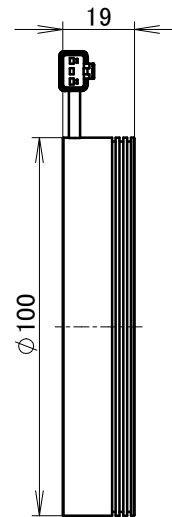
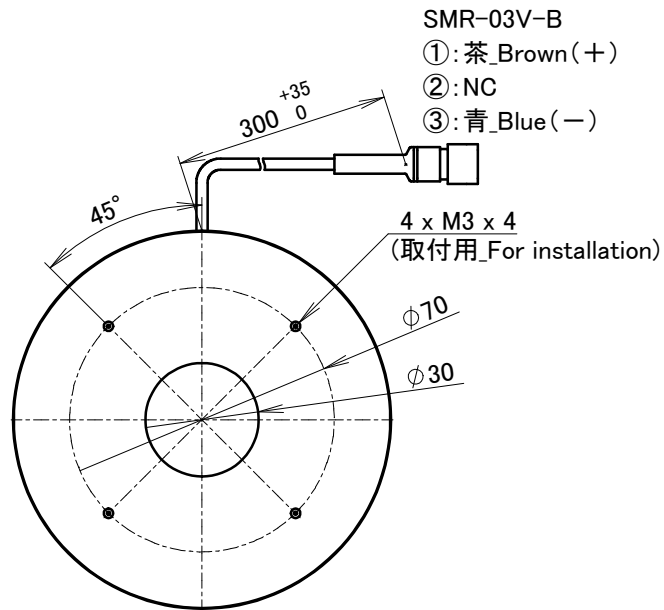


# LDR2-100VL3-O-N

(O : 385/395/405)



入力電圧\_Input Voltage : DC 24V  
 消費電力\_Power Consumption : 23W  
 質量\_Mass : 0.210kg(概算\_Approx.)

UNIT:mm

000			
REVISION	DATE	DESCRIPTION	REVISED

ISSUE DATE	SCALE	APPROVED	NAME
2021/05/19	1:2	T.OSAWA	LDR2-100VL3-O-N (O : 385/395/405)
	SHEET SIZE	CHECKED	DRAWING NAME
	A4	D.OSHIMA	外觀図_outline
	PROJECTION	DESIGNED	DRAWING No.
		T.KOBASHI	UA39042-G
		DRAWN	REVISION
		T.KOBASHI	000
			01/01