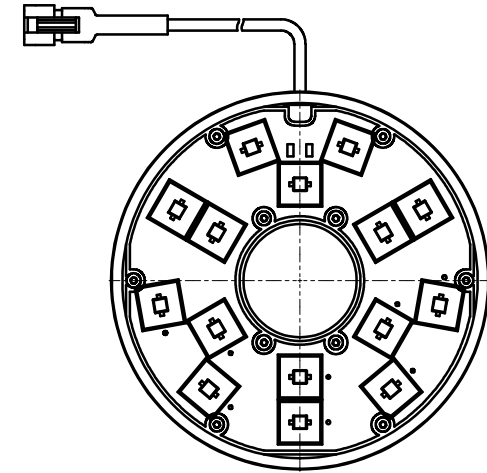
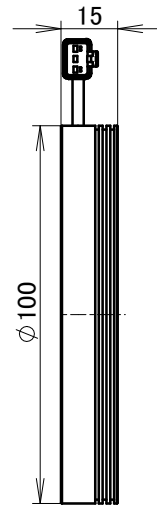
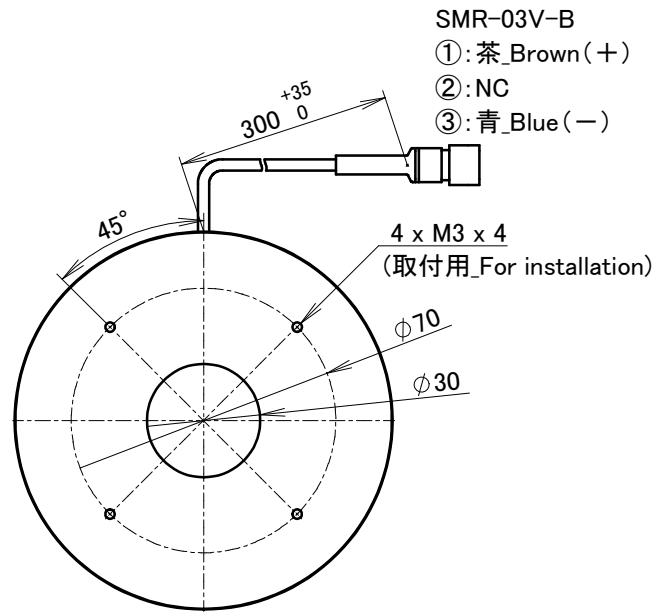


LDR2-100VL3-O-W

(○ : 385/395/405)



入力電圧_Input Voltage : DC 24V
 消費電力_Power Consumption : 23W
 質量_Mass : 0.240kg (概算_Approx.)

UNIT:mm

000			
REVISION	DATE	DESCRIPTION	REVISED

ISSUE DATE	SCALE	APPROVED	NAME
2021/05/19	1:2	T.OSAWA	LDR2-100VL3-O-W (○ : 385/395/405)
	SHEET SIZE	CHECKED	DRAWING NAME
	A4	D.OSHIMA	外觀図_outline
	PROJECTION	DESIGNED	DRAWING No.
		T.KOBASHI	REVISION SHEET
		DRAWN	000
		T.KOBASHI	01
			UA39039-G
			01