

LDR2-60VL3-O-W

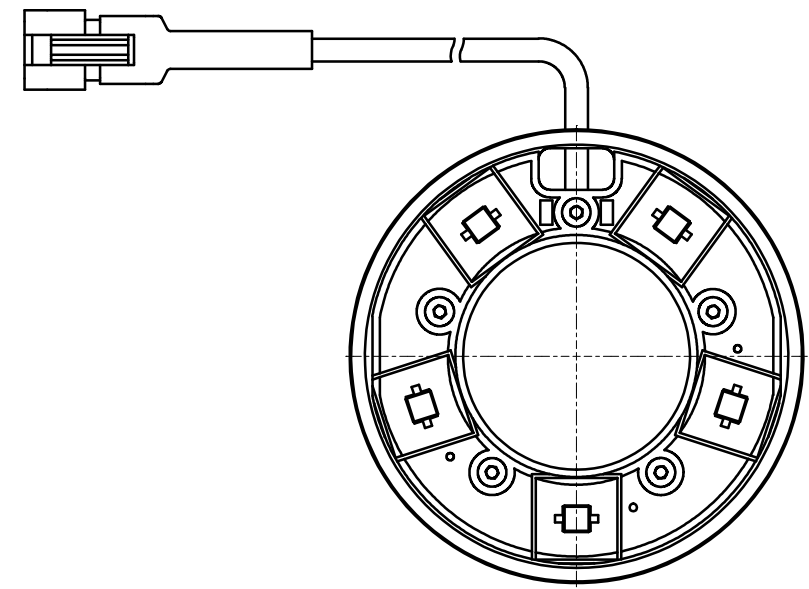
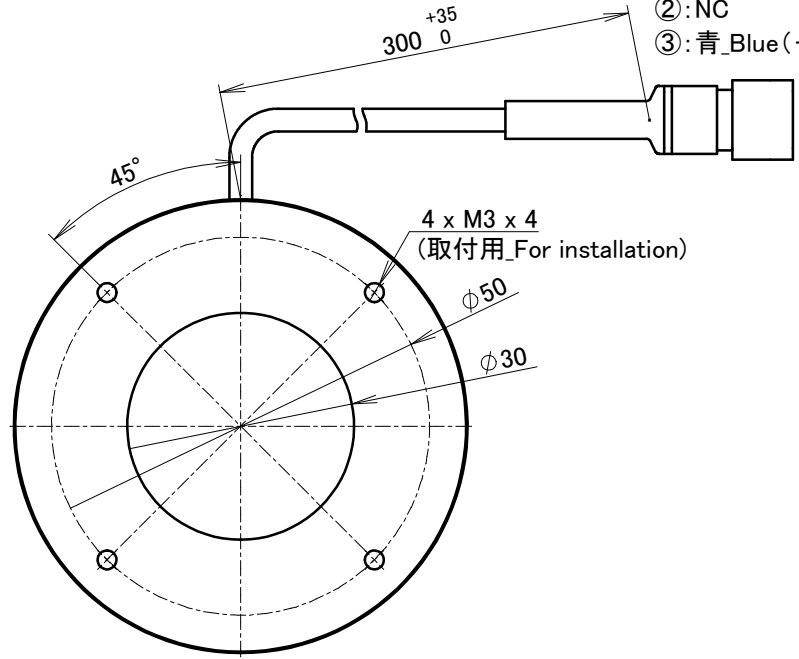
(O : 385/395/405)

SMR-03V-B

①: 茶_Brown(+)

②: NC

③: 青_Blue(-)



入力電圧_Input Voltage : DC 24V
 消費電力_Power Consumption : 7.6W
 質量_Mass : 0.085kg(概算_Approx.)

UNIT:mm

000			
REVISION	DATE	DESCRIPTION	REVISED

ISSUE DATE	SCALE	APPROVED	NAME
2021/05/19	1:1	T.OSAWA	LDR2-60VL3-O-W (O : 385/395/405)
	SHEET SIZE	CHECKED	DRAWING NAME
	A4	D.OSHIMA	外觀図_Outline
	DESIGNED		
PROJECTION		T.KOBASHI	DRAWING No.
		DRAWN	UA39033-G
		T.KOBASHI	REVISION
			000
			SHEET
			01/01