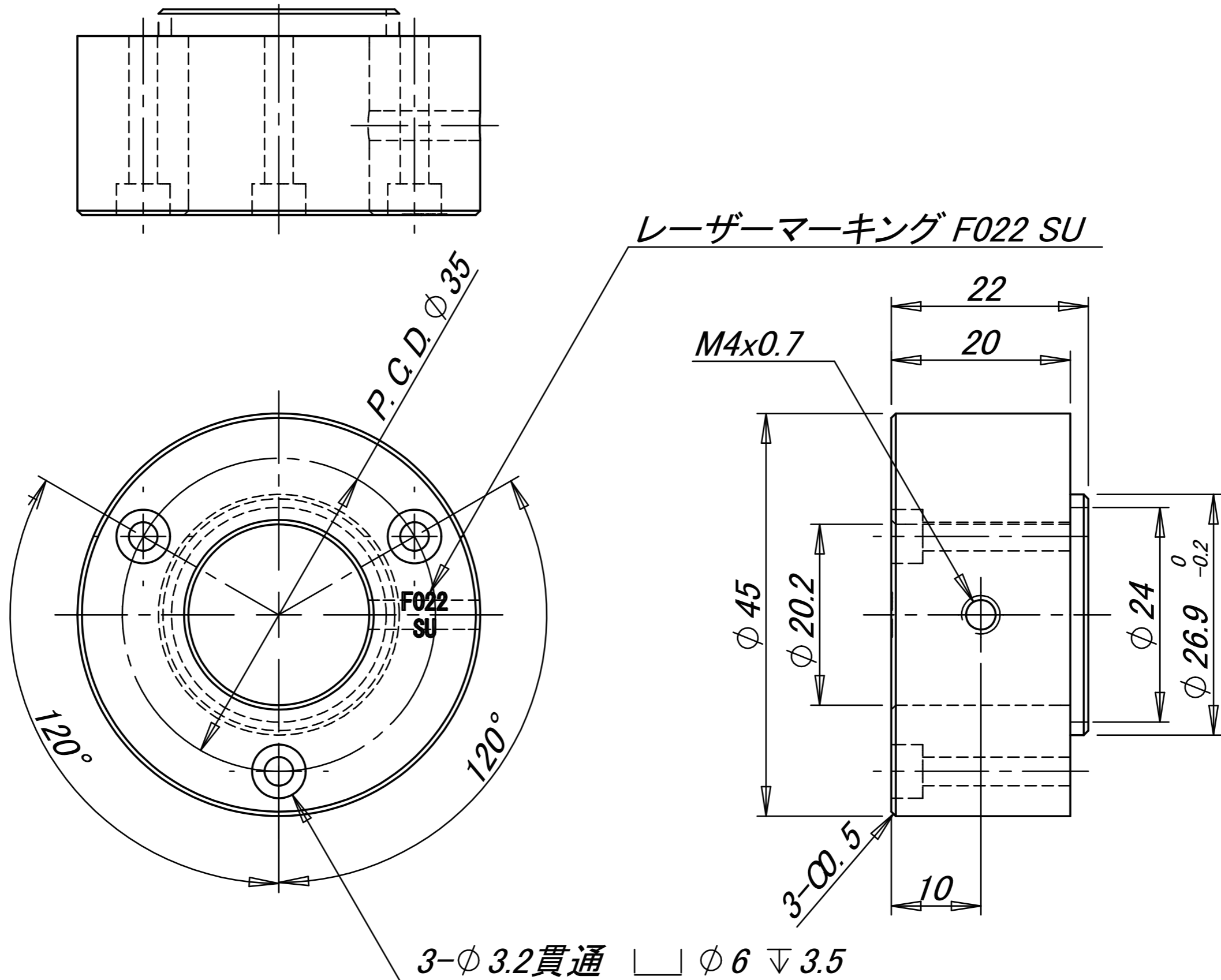


# AD-PFBR-600-01



Unit: mm