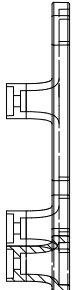
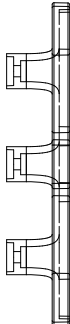
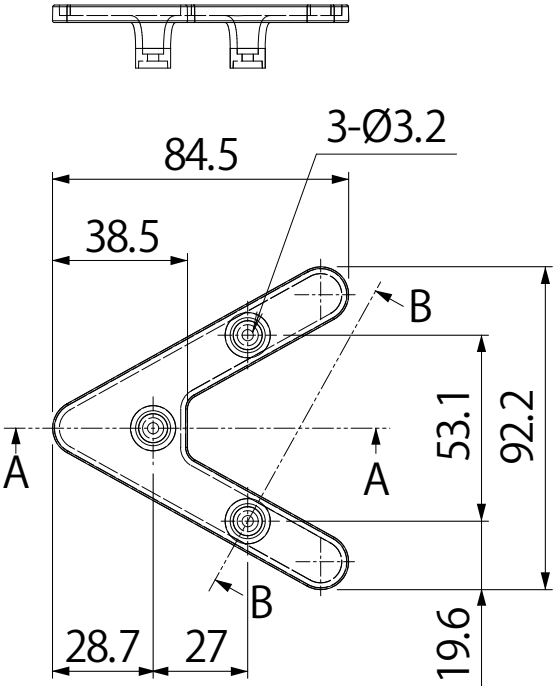
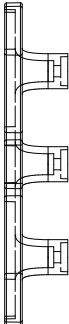
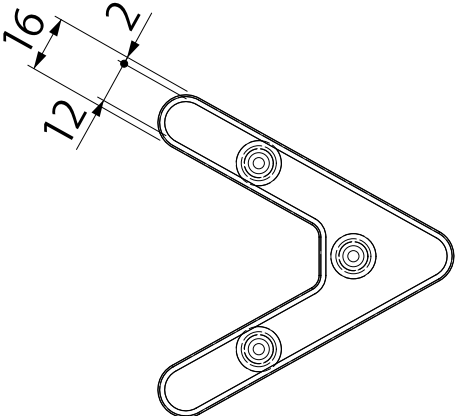


BB-FT

Third Angle Projection Units: mm



B-B

